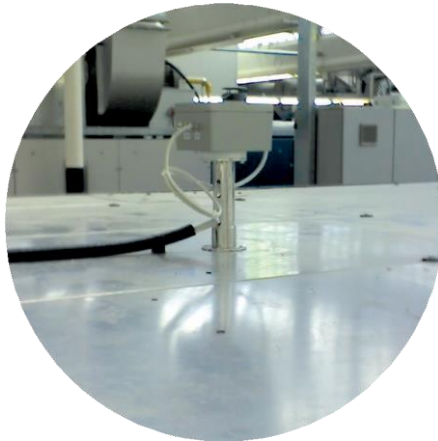




Airmatic - XLT

Humidity control in exhaust air with automatic adjustment



General characteristics:

Microprocessor-based system, monitoring the level of absolute humidity in exhaust air and featuring exhaust fan automatic adjustment.

Applications:

Stenters, cone driers, conditioning chambers, dryers in general.

Functions:

- Measurement of the amount of water in the air (0-300 g/kg)
- Air absolute humidity measurement
- Automatic adjustment of the exhaust via the following output:

1 analogue output regulating exhaust fan speed* (mA or V) (* inverter not included)

Benefits:

- Energy saving
- Consistent product quality
- Easy installation
- Only required limited routine maintenance
- Resistant to airborne aggressive chemical agents





Technical specifications

Overview:

- 4.3" backlit touchscreen monitor showing air humidity measurements
- 5-key polycarbonate keyboard used to set process parameters

Peripherals:

- **Inputs**
 - HYGROAIR air probe with absolute humidity sensor
- **Outputs**
 - 1 linear analogue output providing the measured value (either 0-20mA or 0-10V - please specify when ordering)
 - 1 analogue output providing automatic adjustment of the Inverter* driving the exhauster (either 0-20mA or 0-10V - please specify when ordering)



HYGROAIR probe with air absolute humidity sensor (maximum working temperature 300°C)

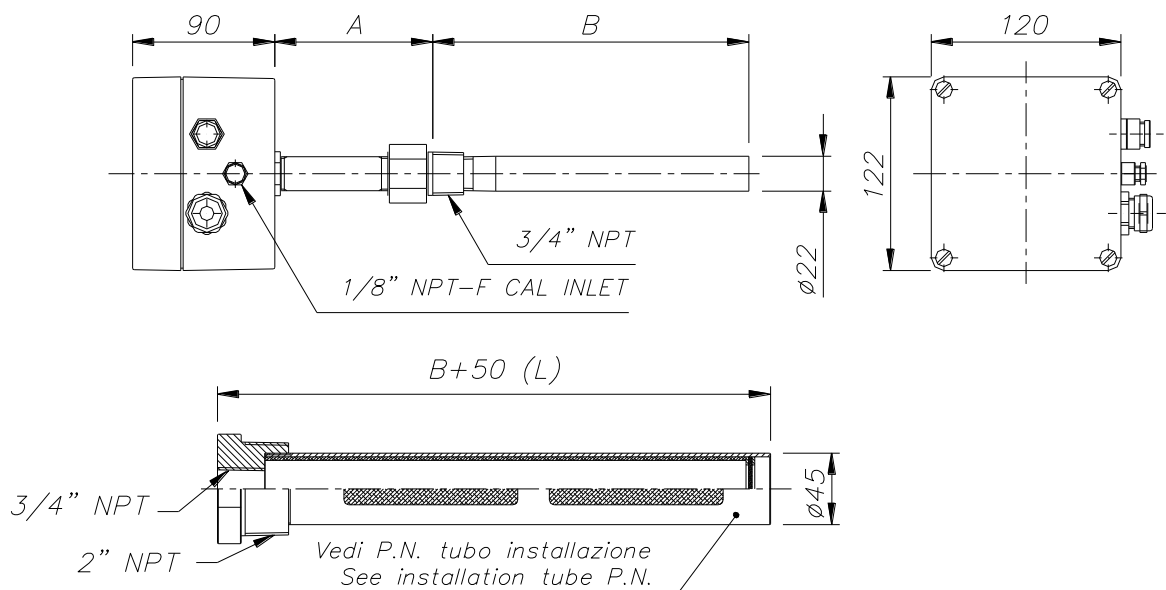
Technical features:

- One analogue output providing automatic adjustment of the inverter* driving the exhaust;
- One analogue linear output to connect a computer, a PLC, a chart recorder or a remote display unit;
- HYGROAIR probe power supply: 24V AC, 1.5 A ;
- AIRMATIC-XLT equipment power supply: 110/220V 50/60Hz, current: 100mA @220V.

Dimensions:


AIRMATIC-XLT unit size: 300x200x120 mm

HYGROAIR sensor (A = 100mm - B = 300mm, other sizes available on demand):



ETV Elettronica Tessile Varese Srl - via Campo dei Fiori 37 • 21056 Induno Olona (VA) Italy
Tel. +39 0332 203 037 • Fax +39 0332 202 924 – etv@etvsrl.com • www.etvsrl.com



 made in Italy

